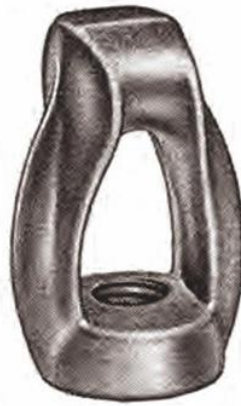


Product Information:

Thimble eyenuts are used for span, head and stub guying, twin eyenuts accomodate double guys. Oval eyenuts are used for deadending with suspension and strain insulators or thimble clevises.



Oval Eye nut



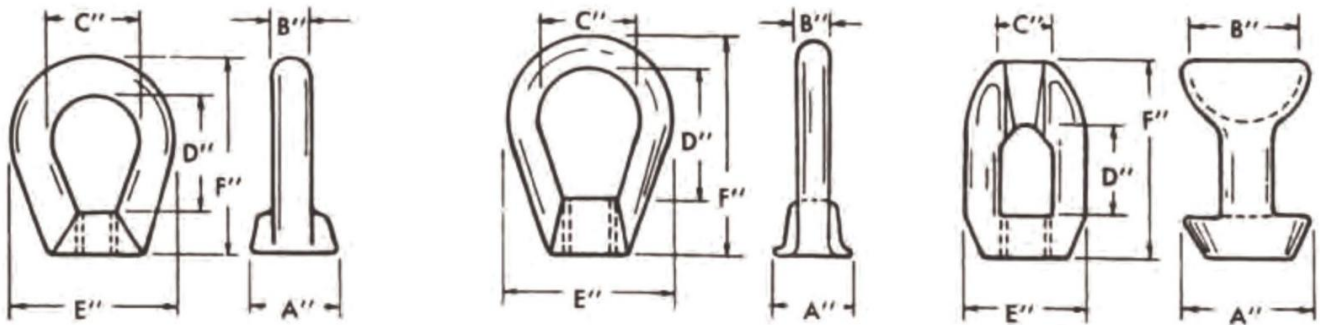
Thimble Eye nut

Features

- EyenuTs are tapped to fit hot dip galvanized bolts made to ANSI specifications
- Designed to develop strength ratings consistent with the bolts with which they are used - i.e. 1/2" = 85000 lbs, 5/8" = 13,550lbs, 3/4" =20,050lbs, 1"= 33 , 500 lbs

Material

Steel hot dip galvanized



Catalog number	Fig.	Eye Nuts Bolt Size (in)	A	B	c	D	E	F	Weight /100 (lbs)
EN-4	1	1/2	13/8	9/6	11/2	13/4	25/8	3	100
LR1092	2	5/8	13/8	9/6	11/2	13/4	25/8	3	72
LR1093	2	3/4	13/8	9/6	11/2	13/4	25/8	3	53
ENL- -5	3	5/8	13/8	5/8	11/2	21/2	8/25	4	100
ENL-6	3	3/4	13/8	5/8	11/2	21/2	25/8	4	100
LR6510	3	5/8	11/2	11/2	7/8	13/8	17/8	3	100
LR6511	3	3/4	11/8	11/2	7/8	13/8	17/8	3	91
LR16512	3	1	2	2	7/8	11/2	2	Feb-41	200

Twineye

Twin eyenuts accomodate double guys.

Material

Steel hot dip galvanized

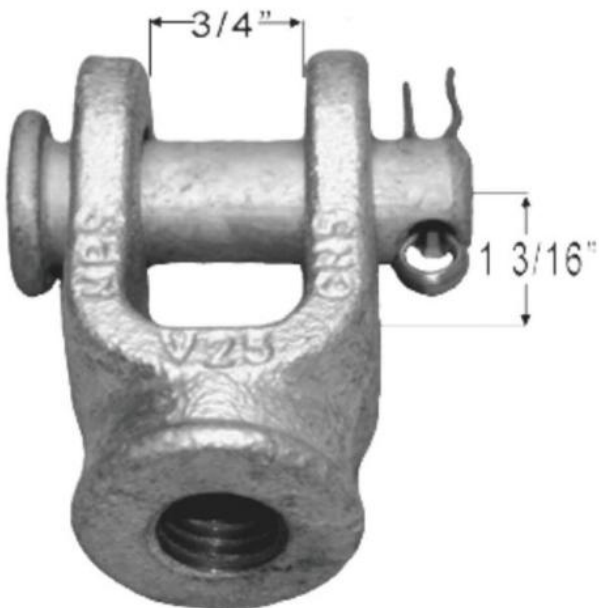


Catalog number	Bolt Length (in)	Thread Length (in)	Weight /100 (lbs)
LR6515	5/8	5/8	177
LR6516	3/4	5/8	176

Clevis Eyenut

Material

Ductile iron hot dip galvanized



Catalog number	Bolt Length (in)	Thread Length (in)	Weight /100 (lbs)
CN-5	5/8	5/8	100

Pole Steps For Wooden Poles

Material

Steel hot dip galvanized

Type	Stock Number	Diameter Steel	Overall Length	Height Hook	Thread Length
Standard Hook	K4252	5/8	10	1	2-3/4
Standard Hook	K4258	5/8	14	1	4-3/4

